

KERSTAR

Part of Absolent Air Care Group

KEVA 20, KEVA 30 & KEVA 45 Dry Pick-Up Vacuum Cleaner

230V Class 1 (Earthed), 50-60Hz, 1.0KW
110V Class 1 (Earthed), 50-60Hz, 0.9KW

Category 3 (Dust Zone 22)

UK CA CE Ex II 3D Ex h tc T100°C Dc

Operating Instructions



Please read carefully
before use



Contents

IMPORTANT USER INFORMATION	3
ELECTRICAL INFORMATION	5
UNPACKING YOUR KEVA VACUUM CLEANER.....	7
COMMISSIONING YOUR KEVA VACUUM CLEANER	7
RISK ASSESSMENT (ATEX/UKEX).....	7
CARRYING & STORAGE	8
OPERATING INSTRUCTIONS.....	8
FILTRATION SYSTEM	8
PERFORMANCE	9
LOSS OF SUCTION AND THERMAL SWITCH	9
SERVICING and SPARES	10
GUARANTEE	10
RATING PLATE	11
EU/EC DECLARATION OF CONFORMITY.....	12
UKCA DECLARATION OF CONFORMITY	13
KEVA 20, 30 & 45 SPARE PARTS	14
ACCESSORIES & SPARE PARTS	15

IMPORTANT USER INFORMATION

This instruction book should be retained with this appliance for future reference. Should this appliance be sold or transferred to another user, always ensure that this book is supplied with the appliance so the user has the relevant information required to safely use and maintain the KEVA cleaner. These warnings are provided in the interest of safety. You must read them carefully before installing or using this appliance. This appliance must only be used and maintained by suitably trained and authorised personnel.


It is dangerous to alter the specification or modify this appliance in any way.

This appliance is a Dry Pick-Up electrically powered Vacuum Cleaner and is designed for use in three different environments:

- 1) To pick up inert dust and debris in an unzoned area where inflammable dust, gases or vapours are not present.
- 2) To pick up inert dust and debris in a Dust Zone 22 area.
- 3) To pick up conductive and non-conductive dust or debris that may form an explosive dust atmosphere in a Dust Zone 22 area.

Please read the following warnings and special conditions for safe use. These conditions must be observed for the safe and effective use of this vacuum cleaner.

Specific Conditions of Use:

- 1) This appliance is not suitable for picking up hazardous dusts that may endanger health. These are defined as non-radioactive, non-explosive dusts that are hazardous to health if inhaled, ingested or if in contact with the skin. A hazardous dust can be defined as very toxic, harmful, corrosive or irritant; some dusts may be subject to an exposure limit in the country of use; micro-organisms may be considered as dusts creating a hazard to the health of a person.
- 2) This appliance is not suitable for collecting radioactive dust.
- 3) This vacuum cleaner is not suitable for picking up dust with an ignition energy of less than 1mJ.
- 4)  Do not pick up glowing dust or other ignition hazards. When picking up swarf and similar metallic parts the KEVA must not be used to pick up potentially explosive dusts or be used in potentially explosive atmospheres. Note: when rusty steel and aluminum items collide with sufficient energy it is possible to generate a spark.
- 5) This appliance is not to be used with pyrophoric or self-reactive dusts.
- 6) This vacuum cleaner is designed and rated for use in an ambient temperature range of 0°C to +30°C.
- 7) This vacuum cleaner is not designed for use outdoors. It is designed for dry pick up only and should not be used or stored outdoors.
- 8) Before using this appliance, a risk assessment must be carried out by a competent person to ensure that this appliance is suitable for the application. The risk assessment is the responsibility of the customer/end user. The manufacturer and/or his agent are not qualified to make the risk assessment on behalf of the end user.

- 9) The earth path continuity between the pick-up nozzle and the earth pin of the plug must be checked by a competent person at regular intervals and documentary records should be kept of these checks. Using a Megohmmeter the reading should be $<50M\Omega$.
- 10) Use only the hose and accessories supplied by the manufacturer. These have been ATEX / UKEX tested and assessed as suitable for use with this appliance. A wider range of ATEX / UKEX approved accessories are available from Kerstar. NEVER use any other hose or accessories.
- 11) Use only Kerstar approved accessories and spare parts.
- 12) This vacuum cleaner must not be installed and/or used as a fixed extraction system and/or run unattended.
- 13) This appliance must be disconnected from the electrical supply before any maintenance tasks are carried out.
- 14) This vacuum cleaner must remain stationary when in use. A locking castor is fitted to prevent movement. Do not attempt to pull the vacuum cleaner by the hose or power supply cable when in use.
- 15) Do not carry or drag your vacuum cleaner by the mains supply cable. Do not tug at the mains supply cable to remove the plug from the wall socket.
- 16) Do not cover the motor head. This vacuum cleaner draws air into the motor head for cooling purposes.
- 17) When collecting dust or debris that may ignite or explode, empty the cleaner after every use.
- 18) The disposable Microfibre bag used in this vacuum cleaner is not designed to be emptied. If it is full or if the vacuum efficiency is impaired, it must be replaced.
- 19) The appliance should only be operated when all filters, including filters for motor cooling air, are in position and undamaged.
- 20) The sound power & pressure level emitted by these appliances are:

KEVA 20H, 30H, 45H	
Declared Dual Number Noise Emission Values in accordance with ISO 4871	
Units	
Measured A-Weighted Sound Power Level. LWA (ref. 1pW, decibels) Uncertainty, KWA in decibels:	$77.6 + 13.7 = 91.3 \text{ dB(A) re } 1\text{pW}$ 2
Measured A-weighted emission sound pressure level, LpA (ref 20 μPa) at the operator's position in decibels. 1LpA calculated to BS EN ISO 1120.:2009 using $d = 1\text{m}$ Uncertainty, KpA in decibels:	$LpA = 91.3 - 13.7 = 77.6 \text{ dB(A) re } 20 \mu\text{Pa}$ 2

- 21) Appropriate Personal Protective Equipment in the form of ear defenders should be worn.
- 22) The magnitude of vibration emissions for the machine at the hose end is below 2.5m/s^2 . Only use the caddy handle or vacuum cleaner main handle for moving the device to the desired location.
- 23) This machine is intended for commercial use, for example in factories, and locations and areas where explosive atmospheres may exist, according to the rating plate shown within these instructions. This appliance is not intended for use by children, and where children are present, they must be supervised at all times to prevent them from

playing or using the machine in any way. This appliance is not intended for use by persons with reduced physical, sensory or mental capabilities, or lack of experience and knowledge.

- 24) Under no circumstances should you attempt to repair the appliance yourself. Repairs undertaken by unauthorised or inexperienced persons may cause injury and/or serious malfunctioning.
- 25) This appliance must only be serviced by authorised Kerstar personnel or distributors, and only genuine spare parts issued by Kerstar should be used.

WARNING / CAUTION:

- 1) **WARNING:** ALL OPERATORS MUST BE ADEQUATELY INSTRUCTED ON THE USE OF THESE MACHINES.
- 2) **WARNING:** DO NOT SEPARATE WHEN ENERGISED.
- 3) **WARNING:** DO NOT SEPARATE WHEN AN EXPLOSIVE ATMOSPHERE IS PRESENT.
- 4) **WARNING:** THIS VACUUM CLEANER MUST BE EARTHED. IT MUST NOT BE PERMANENTLY WIRED INTO THE ELECTRICAL SUPPLY.
- 5) **WARNING:** DO NOT USE ANY TYPE OF EXTENSION LEAD OR CORD. THIS VACUUM CLEANER MUST ONLY BE PLUGGED INTO A SUITABLE WALL MOUNTED OUTLET SOCKET.
- 6) **WARNING:** DO NOT PLUG OR UNPLUG UNDER LOAD.
- 7) **WARNING:** THIS MACHINE IS FOR DRY USE ONLY.
- 8) **CAUTION:** THIS VACUUM CLEANER IS FOR INDOOR USE ONLY.
- 9) **CAUTION:** THIS MACHINE SHALL BE STORED INDOORS ONLY.

ELECTRICAL INFORMATION

This appliance has been designed for indoor and dry vacuum cleaning only and must not be used to pick up any liquids.

Cable & Plug

This vacuum cleaner is a Class I (Earthed) appliance and has 10 metres of 3 core mains cable. The supply cable should be regularly examined for signs of damage. If the supply cable is damaged, it must be replaced by the manufacturer, our service agent or a similar qualified and competent person in order to avoid a hazard. Please contact Kerstar or our service agent for further information. The cable is fitted with a standard (non ATEX/UKEX) approved plug suitable for your socket (13amp 3pin for UK 230V, 16amp round pin for Europe 230V and 16amp yellow round pin for UK 110V). The fitted plug is suitable for standard supply sockets that are situated outside the zoned area. If the supply socket is situated within the zoned area, it should be ATEX/UKEX approved. The plug on this appliance should be removed and changed for a plug that is ATEX/UKEX approved. Make sure that the plug that has been removed is disposed of immediately so there is no chance of the plug being used. The replacement plug must be fitted by a

competent person following the fitting instructions provided by the plug manufacturer. Please note the following:

- 1) Ensure that the lengths of wire to be fitted inside the plug have been cut to the correct length and the end correctly prepared. When preparing the cable ends take care not to damage the outer sheath, or the insulation surrounding the inner conductors.
- 2) Connect the blue (NEUTRAL) wire to the terminal in the plug which is marked with the letter "N" or coloured black.
- 3) Connect the brown (LIVE) wire to the terminal in the plug which is marked with the letter "L" or coloured red.
- 4) Connect the green/yellow (EARTH) wire to the terminal in the plug which is marked with the letter "E" or coloured green.
- 5) Tighten all screws. Ensure that all conductor strands have entered into the terminal posts and that the mains lead is securely held in place by the cable clamp.

Motor

110 volt models are rated at 0.9kw in accordance with BSEN60335-2-69 230 volt models are rated at 1.0kw in accordance with BSEN 60335-2-69.

The motor used in this appliance is a non-sparking electronically commutated brushless motor and consumes a maximum running current of 9 amps (230v models) and 13 amps (110v models). The electrical supply should be fitted with a fuse/protective device suitable for the current demand.

The electronic control of the motor limits the starting current to the above values. The motor is thermally protected. There is a thermal switch to protect the windings in the motor and there is a thermal switch to protect the electronic control circuit board. If your vacuum cleaner cuts out please refer to page 8 'Loss of Suction and Thermal Switch'. The cut-out switches will automatically reset when the motor temperature drops.

UNPACKING YOUR KEVA VACUUM CLEANER

Unpack the carton and ensure that you have a complete set of accessories as listed below:

- | | |
|---|-----------------------------|
| 1 KEVA Dry Pick Up Vacuum Cleaner | <i>Optional extra:</i> |
| 1 38mm x 3m A/S Hose Assembly | Hose & Accessory Basket |
| 1 38mm Stainless Steel Bent Hose End | (KEVA 30 & 45 only) |
| 2 38mm Stainless Steel Wands | |
| 1 38 x 375mm A/S Heavy Duty Floor Tool with brushes | |
| 1 38mm Crevice Tool A/S Plastic | |
| 1 38 x 70mm A/S Dusting Brush | |
| 1 38 x 100mm A/S Dusting Brush | |
| 5 K4 Disposable Microfibre Bags | |
| 1 Yellow Earth Path Continuity Certificate | A/S = Antistatic/Conductive |

Models on a caddy (KEVA 30 & 45) are packed with the caddy handle removed for transport/packing purposes. Refit the handle before use.

COMMISSIONING YOUR KEVA VACUUM CLEANER

1. Unpack your KEVA vacuum cleaner and make sure you have all the accessories as listed above.
2. Carefully inspect your KEVA vacuum cleaner for damage. If any damage is found do not use this vacuum cleaner. Please report any damage to your supplier.
3. Make sure the plug fitted is suitable for your outlet socket.
4. Make sure that the electrical supply requirements on the rating plate are in accordance with your electrical supply.
5. Conduct a risk assessment to ensure that this vacuum cleaner is suitable for your environment and requirements.
6. Make sure that operators of this vacuum cleaner are trained in its operation.

RISK ASSESSMENT (ATEX/UKEX)

If this vacuum cleaner is used for collecting flammable/explosive materials or within a zoned area classified under the ATEX Directive 2014/34/EU (or in UK Equipment and Protective Systems Intended for use in Potentially Explosive Atmospheres Regulations 2016) then a risk assessment must be carried out by a competent person to verify the suitability of the application.

The risk assessment will be the responsibility of the customer/end user and should take into account, but not be limited to, the characteristics of the material being collected such as:

1. Spark ignition sensitivity
2. Hot surface ignition sensitivity (cloud)

3. Hot surface ignition sensitivity (layer)
4. Explosion severity
5. Burning behaviour
6. Thermal instability
7. Chemical instability
8. Static electricity generation
9. Impact of collected material
10. The ATEX certification code for the appliance being assessed (see the rating plate on the machine).

CARRYING & STORAGE

The assembled cleaner can be moved around by pulling the vacuum hose, using the flip/flop handle on the motor head or by means of the tubular handle (*models on caddy only*). **It must NOT be dragged around by means of the power supply cable.**

When not in use, this vacuum cleaner should be disconnected from the power supply. This vacuum cleaner should be stored indoors in a dry environment.

OPERATING INSTRUCTIONS

- Unscrew the blanking cap from the threaded hose entry. Connect the hose and accessories required.
- Insert the mains plug into a suitable socket outlet.
- Switch on the unit by turning the ON/OFF switch from '0' to '1'.
- When this unit needs to be switched off it must only be switched off (or on) using the ON/OFF switch.
- When coiling the mains cable make sure that any twists or knots in the cable come out at the plug end. DO NOT coil the cable from the plug end as all twists and knots remain in the cable and considerably shorten its life.

FILTRATION SYSTEM

This vacuum cleaner is fitted with two separate air filtration systems. The first is for the working air. That is the airflow created by the motor to transport dust/debris up the hose and into the disposable bag. The second is for the cooling air. That is the airflow created by the motor to keep its temperature within acceptable limits.

Working Air

1) **1st stage: K4 Microfibre disposable bag** – KEVA 20, 30 & 45 Part No. 25-712-10-008

The K4 Microfibre disposable bag is made from Microfibre material. This material offers better filtration efficiency, greater tear resistance from sharp debris, and is less likely to burst when full of heavy dust/ debris. K4 Microfibre disposable bags are fitted with a

moulded plastic flange and sealing cap. They are fitted over the inlet inside the canister and the dust/debris is collected inside the bag. The sealing cap is designed to prevent the escape of dust from the bag during the bag change and disposal process. When the bag is full or suction efficiency is impaired, it should be replaced. Microfibre bags are not designed to be emptied and should not be reused.

2) 2nd stage: Antistatic Cloth Filter Assembly Part No. 25-712-20-015

A conductive needlefelt cloth filtration media attached to a conductive rubber sealing ring and supported by a conductive plastic rigid filter frame.

3) 3rd stage: H14 Grade HEPA (High Efficiency Particulate Air) Cartridge Filter

Part No. 25-712-10-067

Often referred to as the essential or absolute filter. It is designed to filter to a very fine particle size (0.3-0.6 micron at an efficiency >99.995%) yet have a large enough surface area to give maximum vacuum performance.

Note

The casing of the HEPA filter is metal and is earth bonded to the body of the vacuum cleaner to dissipate any static built up in the HEPA filter.

WARNING: Do not use this vacuum cleaner unless the full 3 stage filtration system is fitted.

Cooling Air

The electrical and electronic parts of the vacuum motor are protected against potentially flammable/ explosive dust ingress by HEPA filters. The HEPA filter situated on the top of the motor head filters the inlet cooling air. The exhaust outlet cooling air HEPA filter is situated within the motor head.

PERFORMANCE

The machine performance is noted below:

Voltage (v)	Max Airflow:	Max Vacuum:
110	56l/s / 200M ³ /Hr	2100mm H ₂ O / 206 hPa
230	59l/s / 210 M ³ /Hr	2300mm H ₂ O / 225 hPa

LOSS OF SUCTION AND THERMAL SWITCH

If your cleaner loses suction power, first check that the hose and other accessories in use are not blocked. To clear a blockage, turn the machine off and insert a long object such as a wooden spoon into the nozzle connector to clear the airway.

If the hose or accessories are not blocked, then check that the filtration system is not blocked. The filtration system can be serviced as follows:

Disposable bags – If full, replace.

If burst, clean out canister by vacuuming with another ATEX/UKEX Category 3/Dust Zone 22 vacuum cleaner and replace bag.

Anti-static Cloth Filter Assembly – This filter will become contaminated with dust during normal use and/or if the disposable bag has holes in it or has burst. The dust must be removed either by brushing off or preferably by vacuuming with another ATEX category 3/Dust Zone 22 vacuum. It is advisable to have a spare filter. This spare filter can be placed in the machine which can then be used to vacuum the dust off the contaminated filter after which it becomes the spare.

HEPA Cartridge Filter – The HEPA cartridge is not reusable or cleanable and should be disposed of safely. When it becomes excessively clogged and the vacuum performance of the appliance suffers, or is no longer acceptable, fit a new unit. Be careful when handling and fitting HEPA cartridges as damage to the pleated element and/or seals will affect the performance and may cause a leakage through the filter of unfiltered air.

If the thermal switch activates to protect the motor, first check the hose, tools and filtration system as described above. If these are clear and not blocked the inlet cooling air HEPA filter may be clogged. This can be replaced by removing the cover for the inlet cooling air HEPA filter.

If any of the filters or Microfibre bag are damaged or have holes in they must be replaced with new items.

SERVICING and SPARES

Should your Kerstar KEVA need any servicing, repair or spares, please contact your nearest Kerstar dealer or contact Kerstar directly:

Tel: +44 (0)1952 290500

Email: sales@filtermist.com

More details on servicing can be found on the Kerstar website www.kerstar.com.

Please make a note of the model and serial number before contacting Kerstar.

GUARANTEE

Kerstar products are guaranteed for 12 months against defective parts and workmanship. Parts that are subject to normal wear and tear are excluded. There are certain conditions that may invalidate this guarantee:

- a) This appliance must be correctly installed and used in accordance with these instructions.
- b) Servicing must be carried out by Kerstar authorised personnel only, or by official distributors.
- c) The guarantee may be invalidated by unauthorised repair or modification to the appliance.

Kerstar may introduce modifications to its products from time to time and consequently the details given in this instruction book are subject to alteration without notice.

Please visit www.kerstar.com for full Terms and Conditions and to activate your warranty.

RATING PLATE




The rating plate gives the precise information about this product. A full explanation is given below.

1. Name and address of manufacturer
2. Manufacturers model or type number
3. The Serial Number (For example 10B 123 – made in February 2010 number 123)
4. Year of manufacture, assembly or construction
5. The **CE** mark
6. The **UK CA** mark
7. **Ex** The distinctive community mark showing a product is suitable for use in a potentially explosive dust and/or gas atmosphere.
8. **II** Equipment group II (surface industries)
9. **3** Category 3 product
10. **D** Explosive dust atmosphere (Zone 22)
11. **Ex** Assessed against Harmonised European Standards
12. **h** Mechanical equipment according to EN 80079-36
13. **tc** Level of protection for electrical equipment (for EPL Dc).
14. **IIIC** Conductive Dusts
15. **T100°C** Surface temperature less than 100°C for dust evaluation
16. **Dc** IECEx Equipment Protection Level
17. **Ta = 0°C to +30°C** Suitable for use in an ambient temperature range of 0°C to +30°C
18. **IP6X** Dust tight (electrical compartment) – No ingress of dust
19. **Weight** Weight of the unit
20. **KEVA** Kerstar Electric Vac ATEX


EU/EC DECLARATION OF CONFORMITY

KERSTAR

Manufacturer's name:	Filtermist Limited	Machinery covered by this declaration:	
Full address:	Telford 54 Business Park, Nedge Hill, Telford, Shropshire TF3 3AL	Description:	Single Phase Electric Portable Vacuum Cleaner
		Function:	Vacuum to collect hazardous and non-hazardous dusts/debris.
		Type:	Kerstar Electric Vac ATEX
		Model:	KEVA 20, KEVA 30, KEVA 45, KEVA 20 H, KEVA 30 H, KEVA 45 H
		Serial No.:	See unit
Filtermist UK declare under our sole responsibility as the manufacturer that the above object(s)/products are in conformity with the following relevant Union harmonisation legislation. The machinery conforms to all the requirements of the Machinery Directive 2006/42/EC.			
The machinery also conforms to the following Directives:	2014/34/EU ATEX Directive; Machinery Directive 2006/42/EC; EMC Directive 2004/108/EC; RoHS Directive 2011/65/EU		
The following standards have been used:	EN IEC 60079-0:2018, EN IEC 60079-31:2014, EN ISO 80079-36:2016, EN ISO 80079-37:2016, EN ISO 80079-31:2014, EN 60079-2:2014, EN 60079-14:2014, EN IEC 55014-1:2021, EN 62233:2008, EN 55014-2:2015, EN 60335-2-69:2012, EN 63000:2018, EN 62321:2009		
ATEX & UKEX Coding: Ex II 3D Ex h tC III T100°C Dc			
The technical file is compiled in accordance with part A of Annex VII of the Machinery Directive 2006/42/EC			
Person authorised to compile the technical file (based in the European Community):	Name:	Absolent AB	
	Address:	Staplaregatan 1 SE-531 40 Lidköping, Sweden	
The relevant authorised person undertakes to transmit, in response to a reasoned request by the national authorities, relevant information on the machinery. This information will be transmitted by: (email, post)			
Person authorised to make this declaration:	Name:	Craig Haynes	
	Position in company:	Product Engineering Team Lead	
	Signature:		
	Place of Declaration:	Filtermist Limited, Telford 54 Business Park, Nedge Hill, Telford, Shropshire, TF3 3AL	
	Date of Declaration:	1 st January 2024	

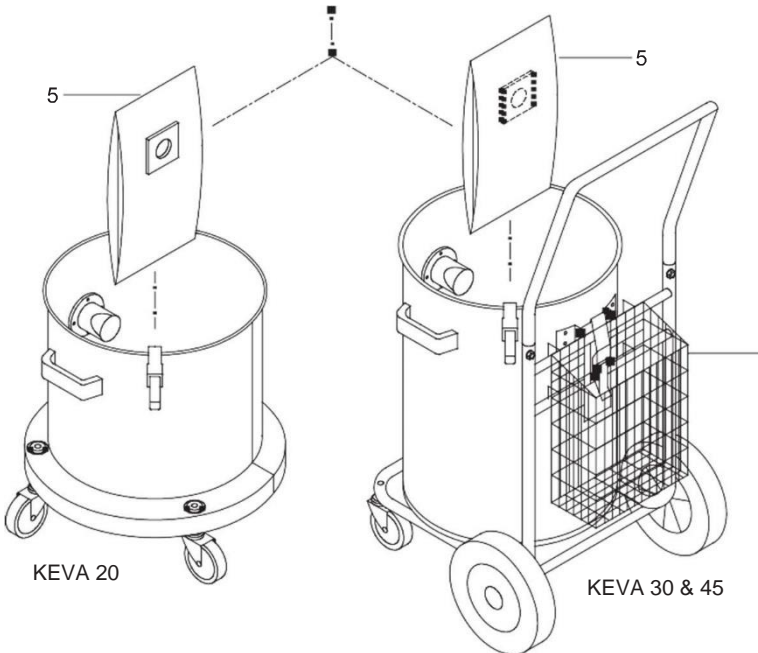
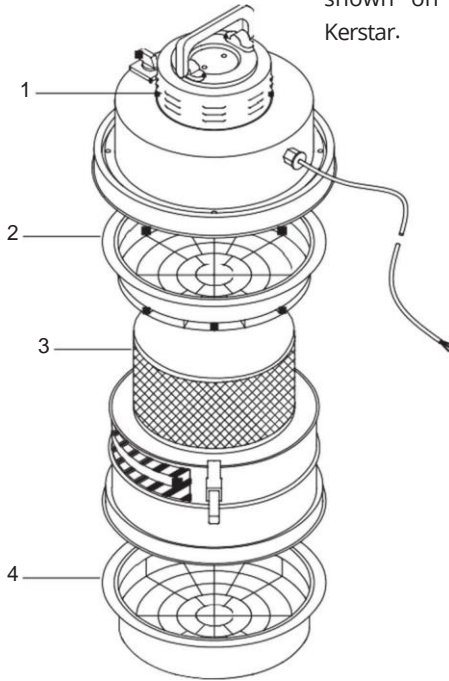
UKCA DECLARATION OF CONFORMITY

KERSTAR

Manufacturer's name:	Filtermist Limited	Machinery covered by this declaration:	
Full address:	Telford 54 Business Park, Nedge Hill, Telford, Shropshire TF3 3AL	Description:	Single Phase Electric Portable Vacuum Cleaner
		Function:	Vacuum to collect hazardous and non-hazardous dusts/debris.
		Type:	Kerstar Electric Vac ATEX
		Model:	KEVA 20, KEVA 30, KEVA 45, KEVA 20 H, KEVA 30 H, KEVA 45 H
		Serial No.:	See unit
Filtermist UK declare under our sole responsibility as the manufacturer that the above object(s)/products are in conformity with the following relevant legislation and designated standards:			
The machinery also conforms to the following regulations:	Equipment and Protective Systems Intended for use in Potentially Explosive Atmospheres Regulations 2016; Supply of Machinery (Safety) Regulations 2008; Electromagnetic Compatibility Regulations 2016; The Restriction of the Use of Certain Hazardous Substances in Electrical and Electronic Equipment Regulations 2012		
The following standards have been used:	BS EN IEC 60079-0:2018, BS EN IEC 60079-31:2014, BS EN ISO 80079-36:2016, BS EN ISO 80079-37:2016, BS EN 60079-2:2014, BS EN 60079-14:2014, BS EN IEC 55014-1:2021, BS EN 62233:2008, BS EN 55014-2:2015, BS EN 60335-2-69:2012, BS EN 63000:2018, BS EN 62321:2009		
UKCA Ex / UKEX Coding: II 3D Ex h tc IIIC T100°C Dc The technical file is compiled in accordance with the Supply of Machinery (Safety) Regulations 20084			
The relevant authorised person undertakes to transmit, in response to a reasoned request by the national authorities, relevant information on the machinery. This information will be transmitted by: (email, post)			
Person authorised to make this declaration:	Name:	Craig Haynes	
	Position in company:	Product Engineering Team Lead	
	Signature:		
	Place of Declaration:	Filtermist Limited, Telford 54 Business Park, Nedge Hill, Telford, Shropshire, TF3 3AL	
	Date of Declaration:	1st January 2024	

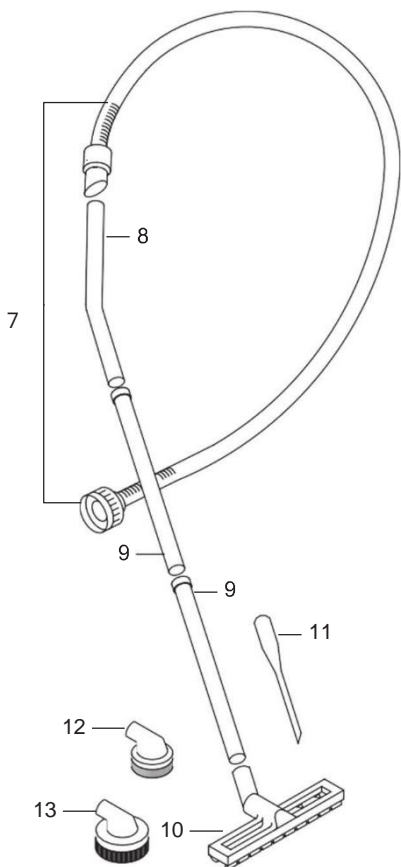
KEVA 20, 30 & 45 SPARE PARTS

If you require any spare parts not shown on this list, please contact Kerstar.



ACCESSORIES & SPARE PARTS

If you require any spare parts not shown on this list please contact Kerstar.



Item No.	Qty	Part No.	Description
1	1	25-712-10-066	KEVA 20, 20 & 45 Inlet HEPA Filter
2	1	25-325-20-004	14" A/S Sealing Ring & Frame without cage
3	1	25-712-10-067	KAV/KEVA 20, 30 & 45 HEPA Filter
4	1	25-712-20-015	14" A/S Filter Assembly
5	1	25-712-10-008	K4 Microfibre Disposable Bag (Pack of 5)
6	1	25-204-10-351	KAV/KEVA Hose & Accessory Basket
7	1	25-204-20-079	38mm x 3m A/S Hose Assembly
8	1	25-204-10-1878	38mm Stainless Steel Bent Hose End
9	2	25-204-10-1877	38mm Stainless Steel Wand
10	1	25-204-20-1330	38 x 375mm A/S Heavy Duty Floor Tool with brushes
11	1	25-204-10-212	38mm Crevice Tool A/S Plastic
12	1	25-204-10-1296	38 x 70mm A/S Dusting Brush
13	1	25-204-20-195	38 x 100mm A/S Dusting Brush

Protecting the environment



When this product has reached the end of its useful life it must be recycled in an environmentally friendly manner. It must not be disposed of with normal household waste.



Part of Absolent
Air Care Group

Filtermist Limited
Telford 54 Business Park
Nedge Hill
Telford
Shropshire
TF3 3AL
England

Supplied by:

Revised: January 2024
www.kerstar.com
Kerstar products are manufactured by
Filtermist Limited

Tel: +44 (0)1952 290500
Email: sales@filtermist.com
www.filtermist.co.uk

Although every effort has been made to maintain accuracy of information and specifications in this manual, no liability can be accepted for errors and omissions and this manual forms no part of a contract. Filtermist Limited may introduce modifications and improvements from time to time, and consequently the details given in this manual are subject to alteration without notice. Please visit www.kerstar.com to download the latest version of this manual.