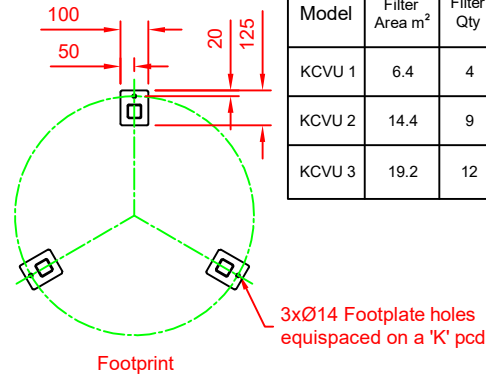
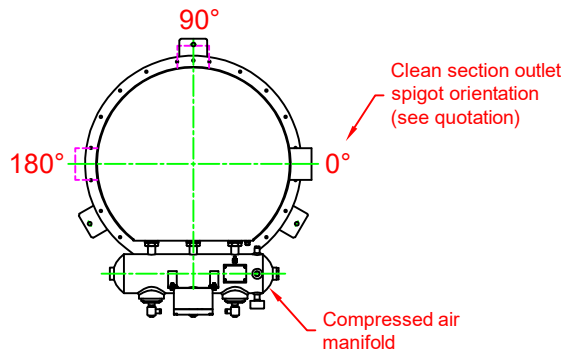


# Kerstar KCVU



Model	Filter Area m <sup>2</sup>	Filter Qty	A	B	C	D	E	F	G	H	J No of Valves	K PCD	Inlet Size (Square) mm	Outlet Size (Circular) mm	Max Number Of Users**
KCVU 1	6.4	4	450	530	1250	734	784	2396	320	475	2	680	100	100	2
KCVU 2	14.4	9	700	780	1250	950	990	2612	395	550	3	947	120	120	4
KCVU 3	19.2	12	800	880	1250	1037	1062	2699	470	625	3	1047	150	150	6

\*\*Based on 40mm - 50mm diameter hose connections

## TECHNICAL SPECIFICATION

### ELECTRICAL SUPPLY:

Cleaning controller - 24v DC / 110/230v 1ph 50hz (by client)  
Solenoid Valve - 24v DC

### CONSTRUCTION:

Material - Mild Steel  
Finish - Ra17043, Dark Grey Matt  
Welds - See Quotation

Vacuum & Pressure Rating - See Quotation

### COMPRESSED AIR:

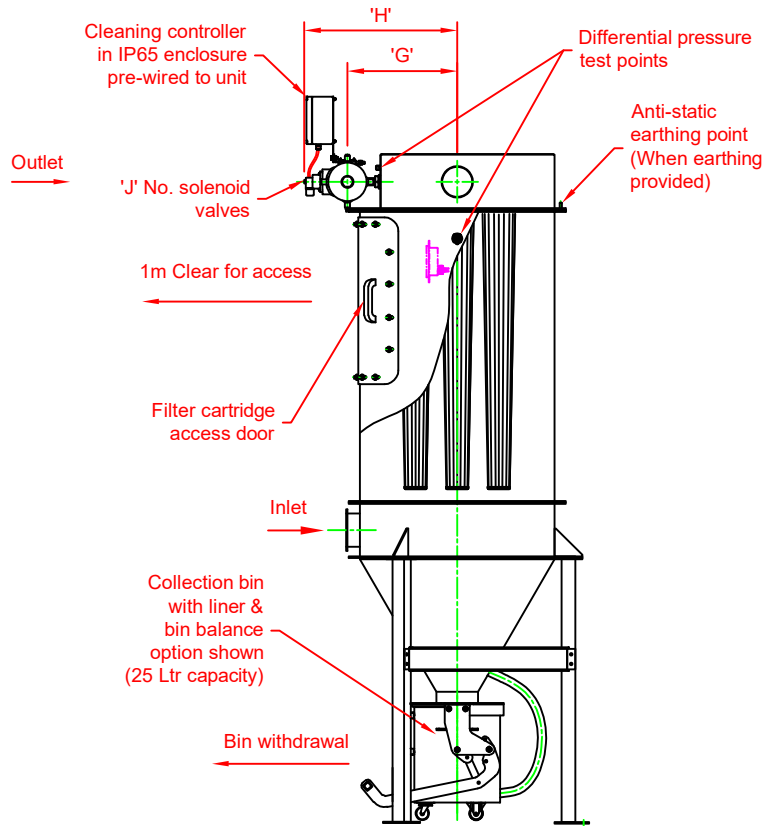
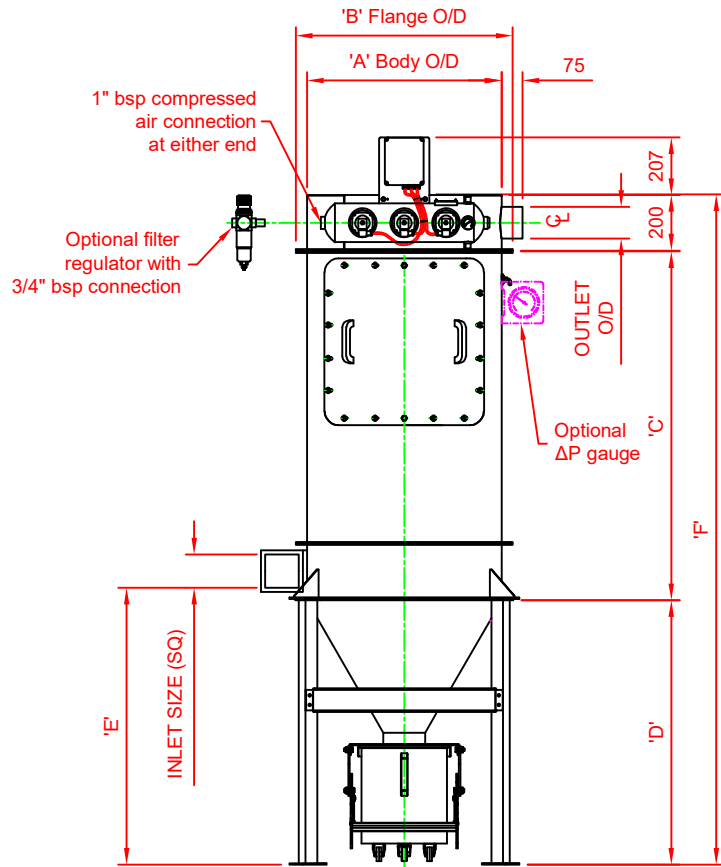
Pressure - 6 bar max.  
Consumption - 5.1 m<sup>3</sup>/hr (for KCVU 1 & KCVU 2)  
- 6.7 m<sup>3</sup>/hr (for KCVU 3)  
(Based on 15 sec interval & 100msec. pulse)

### FILTER MEDIA

Various Media Systems Available To Suit Dust Characteristics. (See Quotation).

### OPTIONS:

ATEX Certified  
Differential Pressure Monitor  
Filter Regulator  
Explosion Relief (Horizontal & Vertical)  
Stainless Steel  
Special Paint Finish  
Bin Liner Facility  
Steelwork Extension With Valve Discharge To FIBC / Skip  
Isolation Valve Above Bin  
Alternative Electrical Supplies



Unit to be sited on a flat, level surface